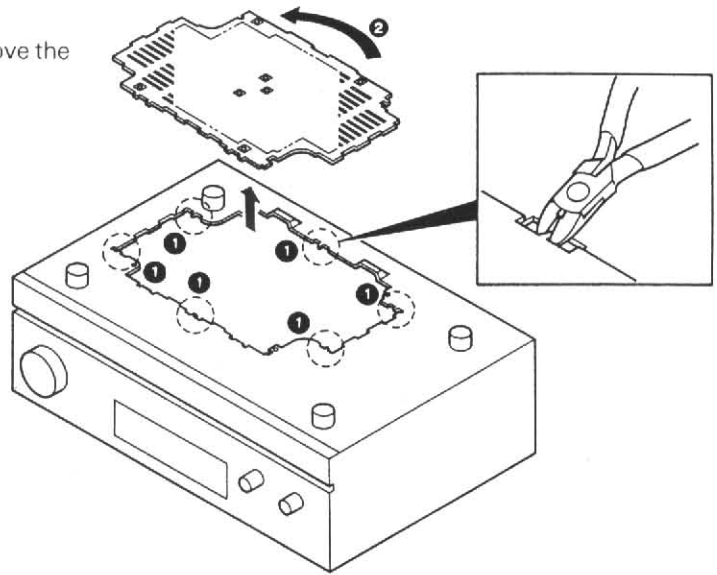


\* Refer to parts list on page 22.

## DISASSEMBLY FOR REPAIR

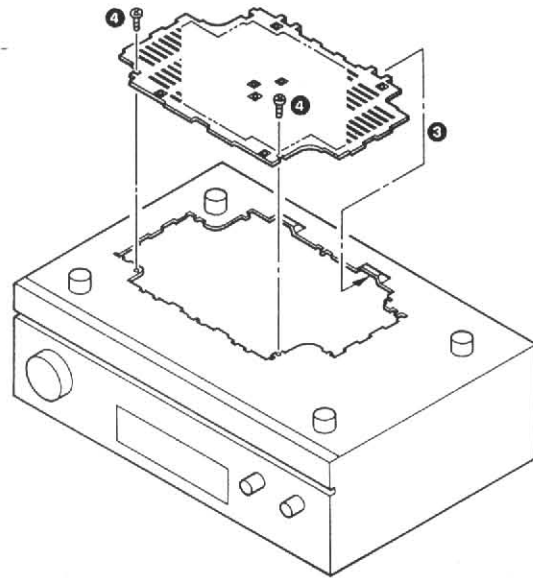
### How to remove the repairing chassis

- 1 Cut the 6 parts ① of the repairing chassis. Remove the repairing chassis from main chassis.

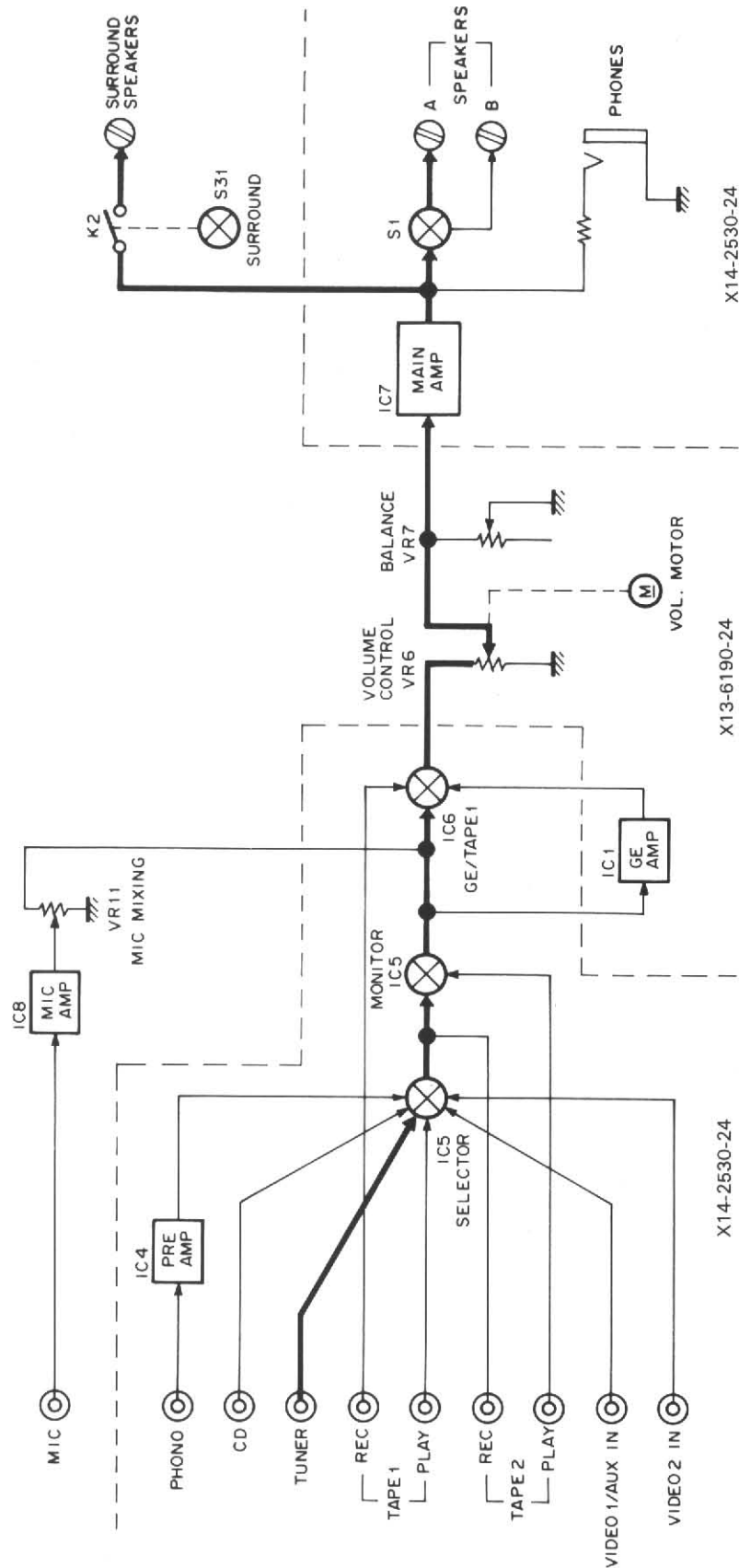


### After repair

- 2 Turn the repairing chassis 180 degrees in the arrow direction ②.
- 3 Insert the 2 claws ③ into main chassis.
- 4 Lock to the main chassis by 2 screws (M3 × 6) ④.



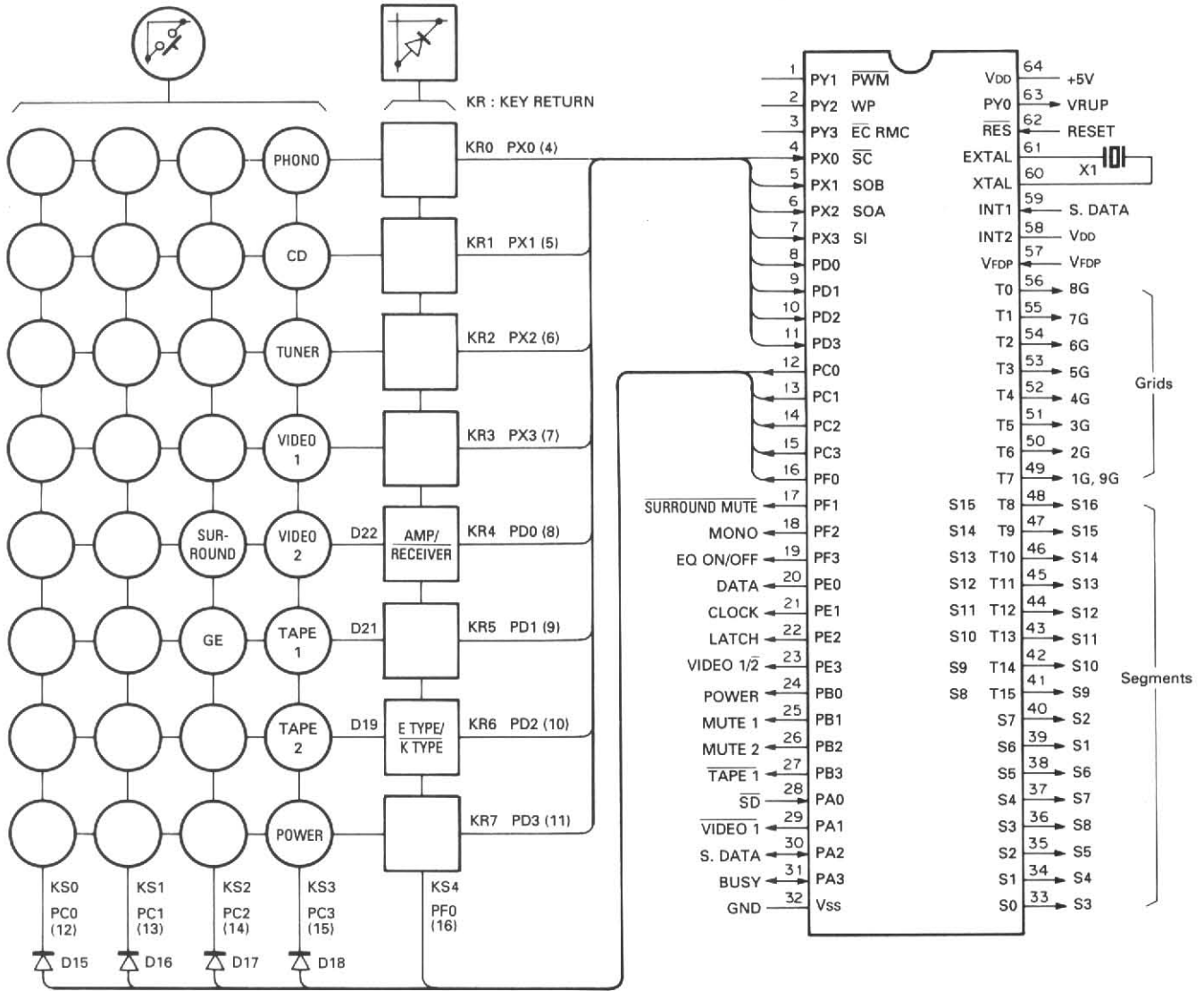
# BLOCK DIAGRAM



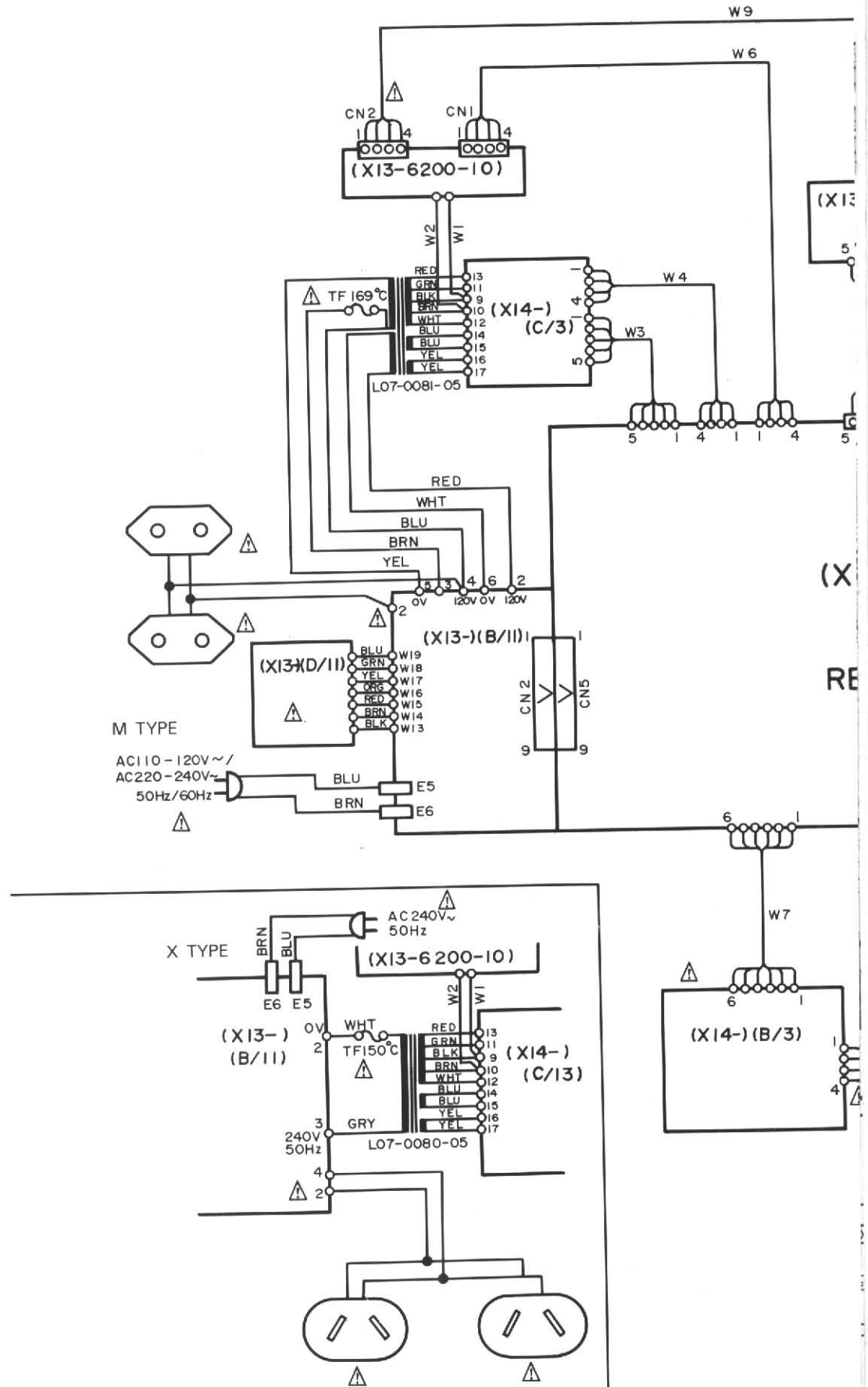
## CIRCUIT DESCRIPTION

### 1. CXP5016-330S: Microprocessor (X13-619X-XX : IC5)

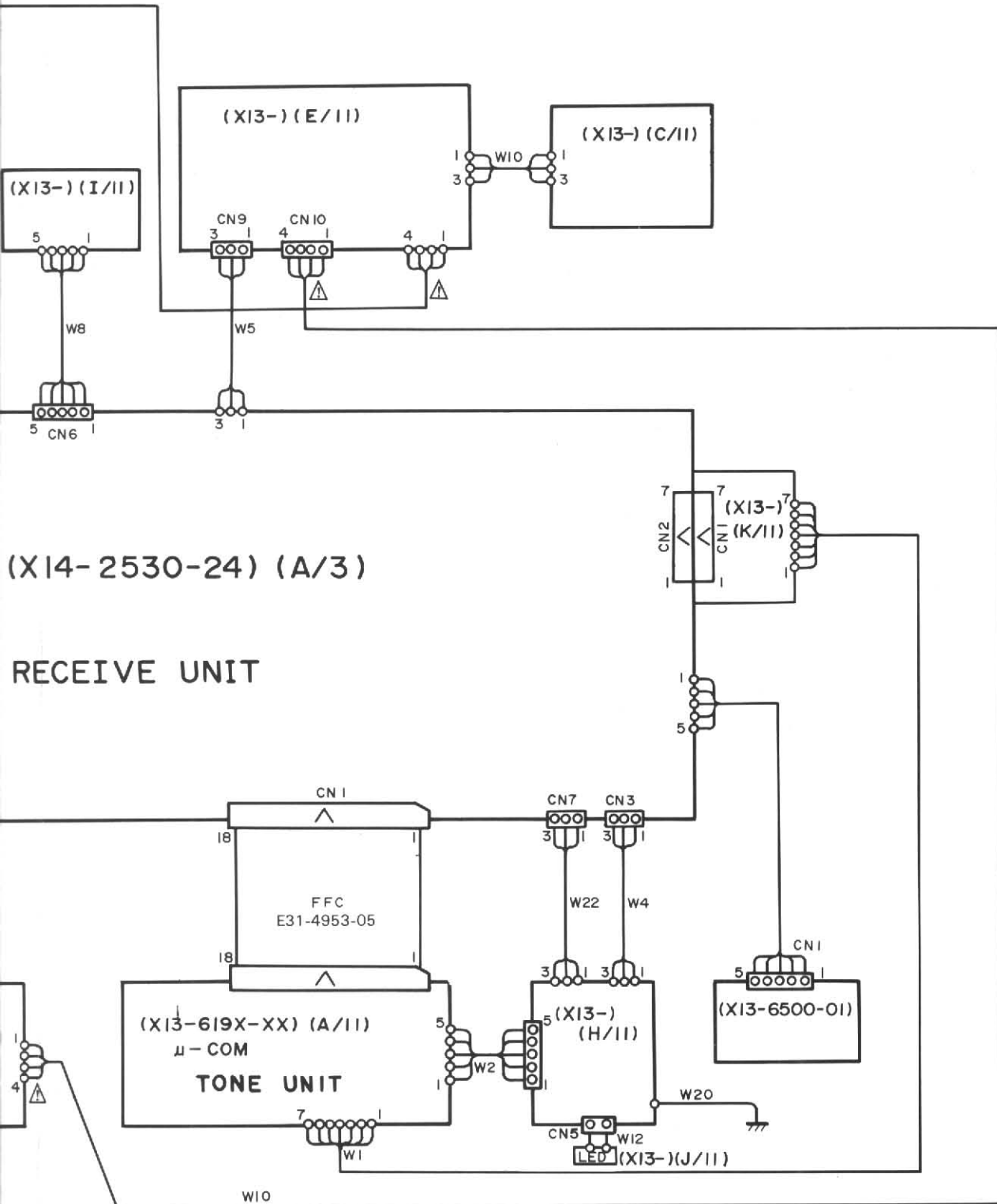
#### 1-1. Key matrix connections



## WIRING DIAGRAM



# KA-79

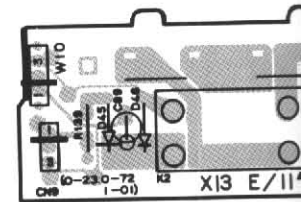
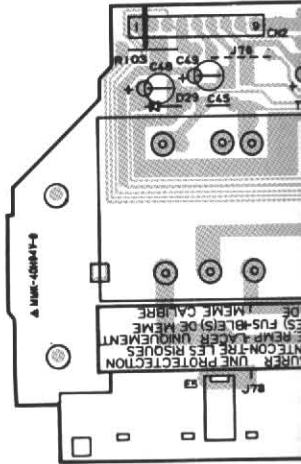
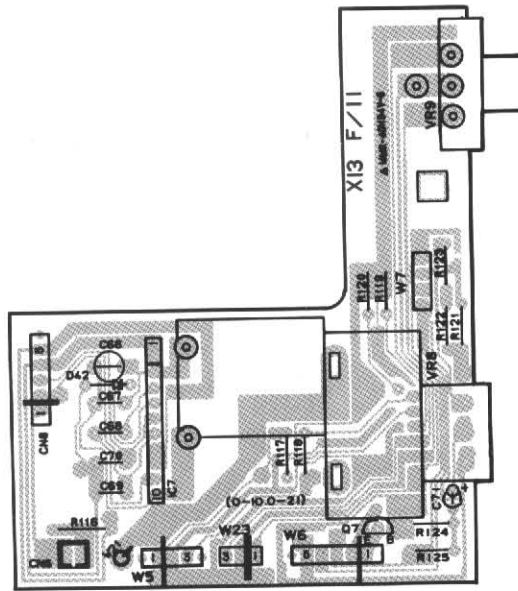
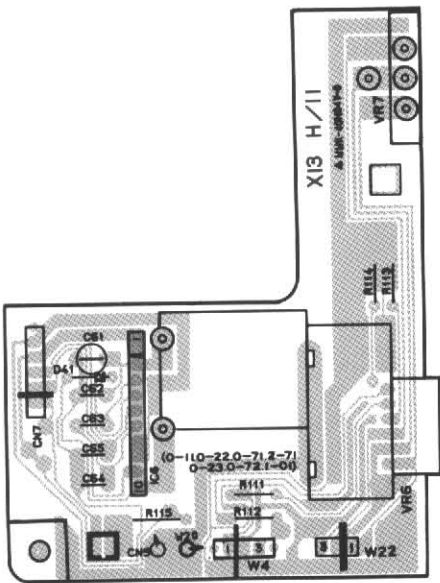
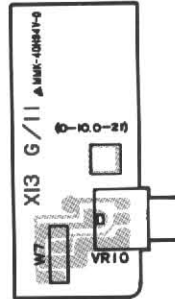
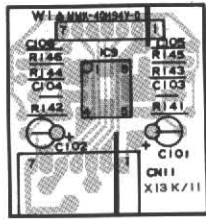
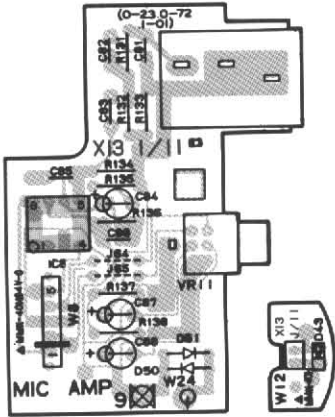
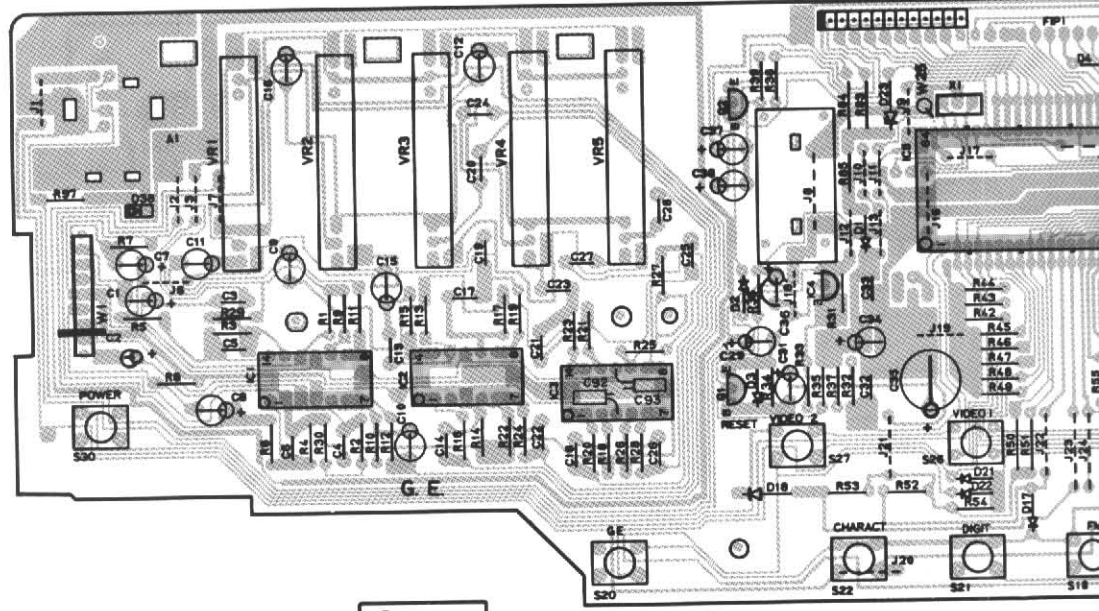


(X14-2530-24) (A/3)

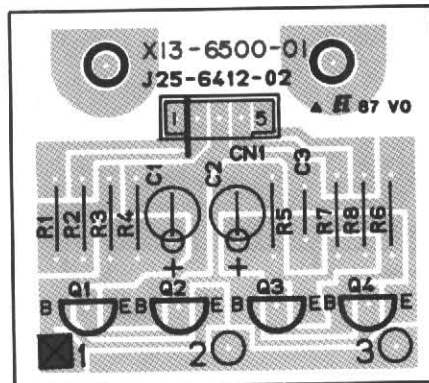
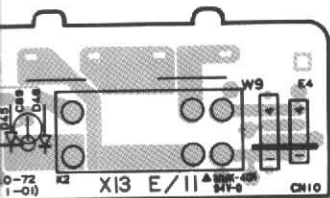
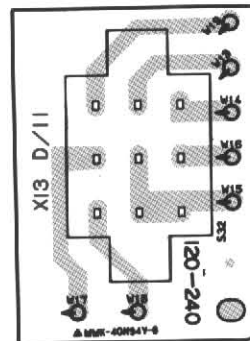
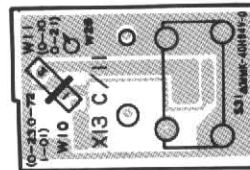
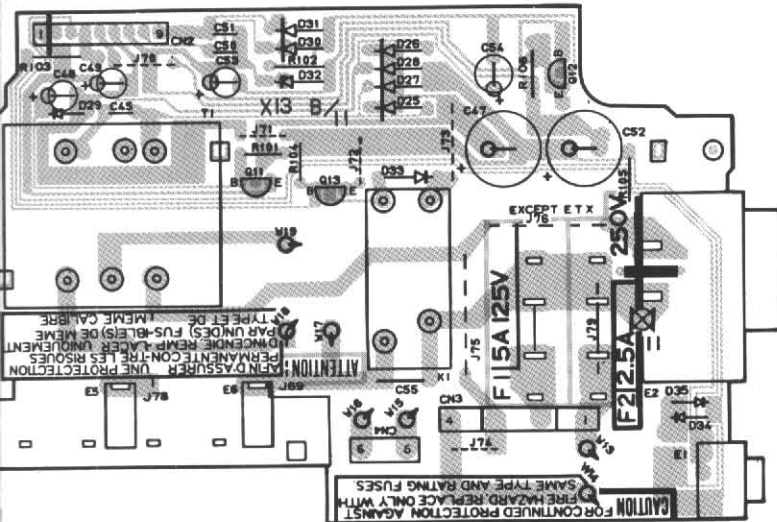
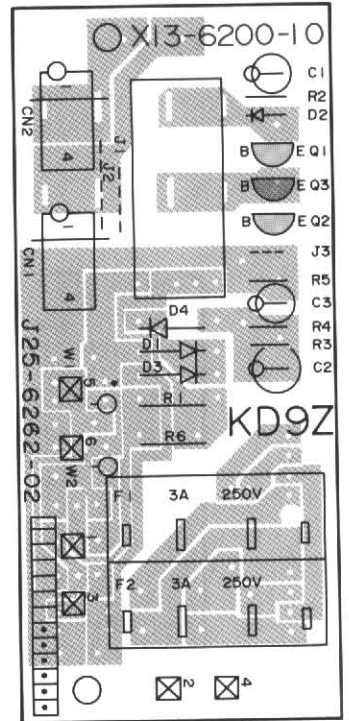
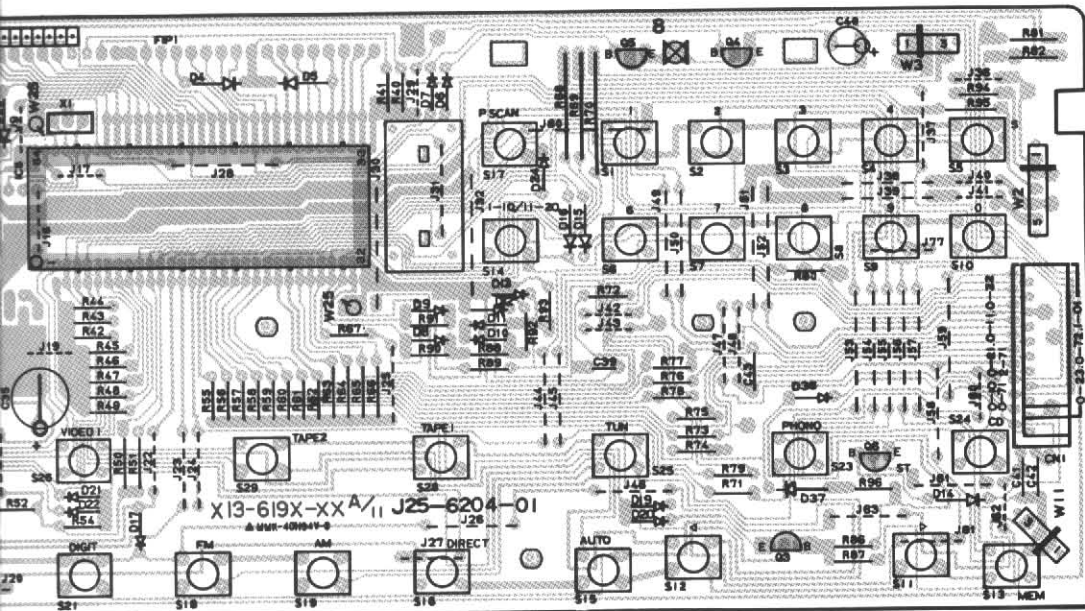
RECEIVE UNIT

	M	X
X13-619	0-24	0-73

# PC BOARD (Component Side View)







**X13-6190-24**

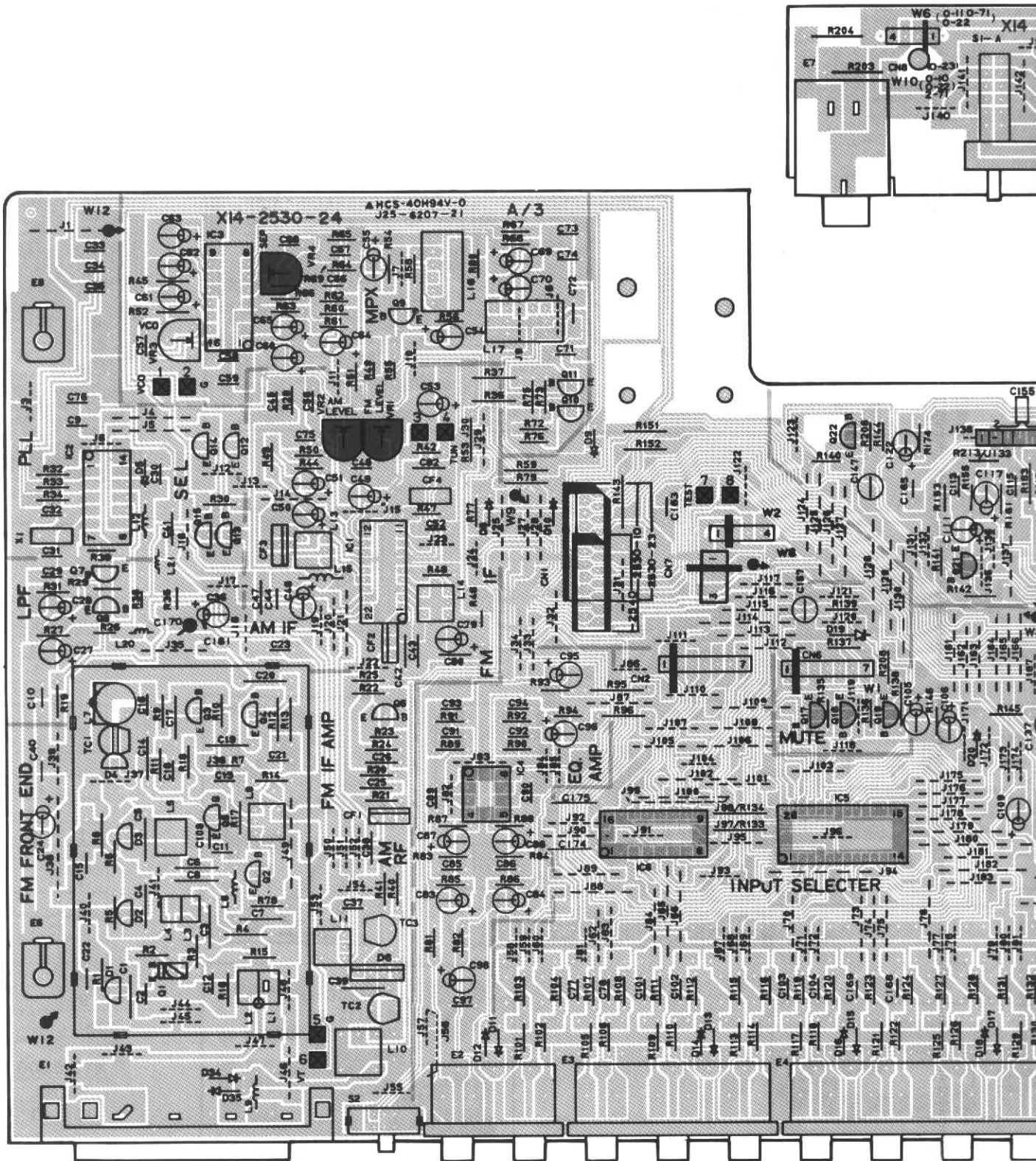
Ref. No.		Address
IC	Q	
	1	2E
	2	1E
	4	1H
	5	1G
	11	4F
	12	4G
	13	4F
1		2C
2		2D
3		2D
4		2E
5		2E
6		6A
8		4A
9		4C

**X13-6500-01**

Ref. No.		Address
IC	Q	
	1	7H
	2	7H
	3	7I
	4	7I



# PC BOARD (Component Side View)





X13-619X-XX

IC1

4	11.9V
11	-12.4V

IC2

4	11.9V
11	-12.4V

IC3

4	11.9V
11	-12.4V

IC4

1	5.6V
2	0V
3	5.6V

IC6

2	UP 5V
5	UP 5V
6	DOWN 3.5V
10	DOWN 5V

IC8

3	0V
4	0V

	B	C	E
Q1	0V	4.8V	0V
Q2	-24.6V	4.9V	-24.7V
Q4	-	0.2V	0V
Q5	-	9.8V	0.2V
Q11	6.2V	12.7V	5.7V
Q12	-30.6V	-48V	-

X14-2530-23

IC4

4	11.9V
8	-12.3V

IC5

10	-12.4V
11	5.5V
14	0V
15	6.8V
16	11.9V
17	6.8V
18	6.8V
19	11.8V

IC6

1	0V
2	0V
8	-12.4V
16	11.9V

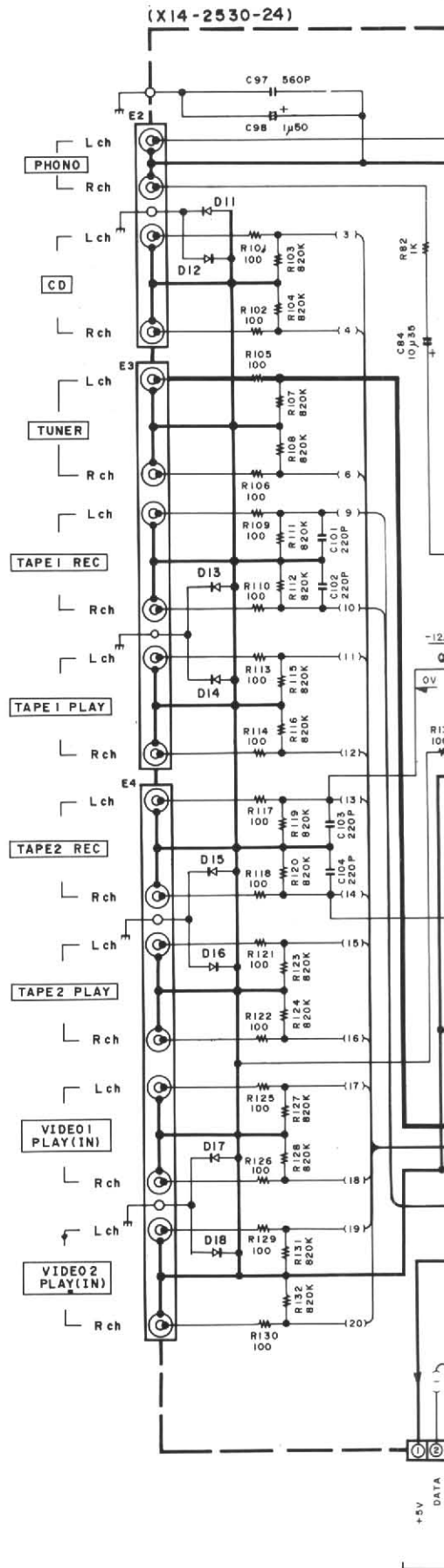
IC7

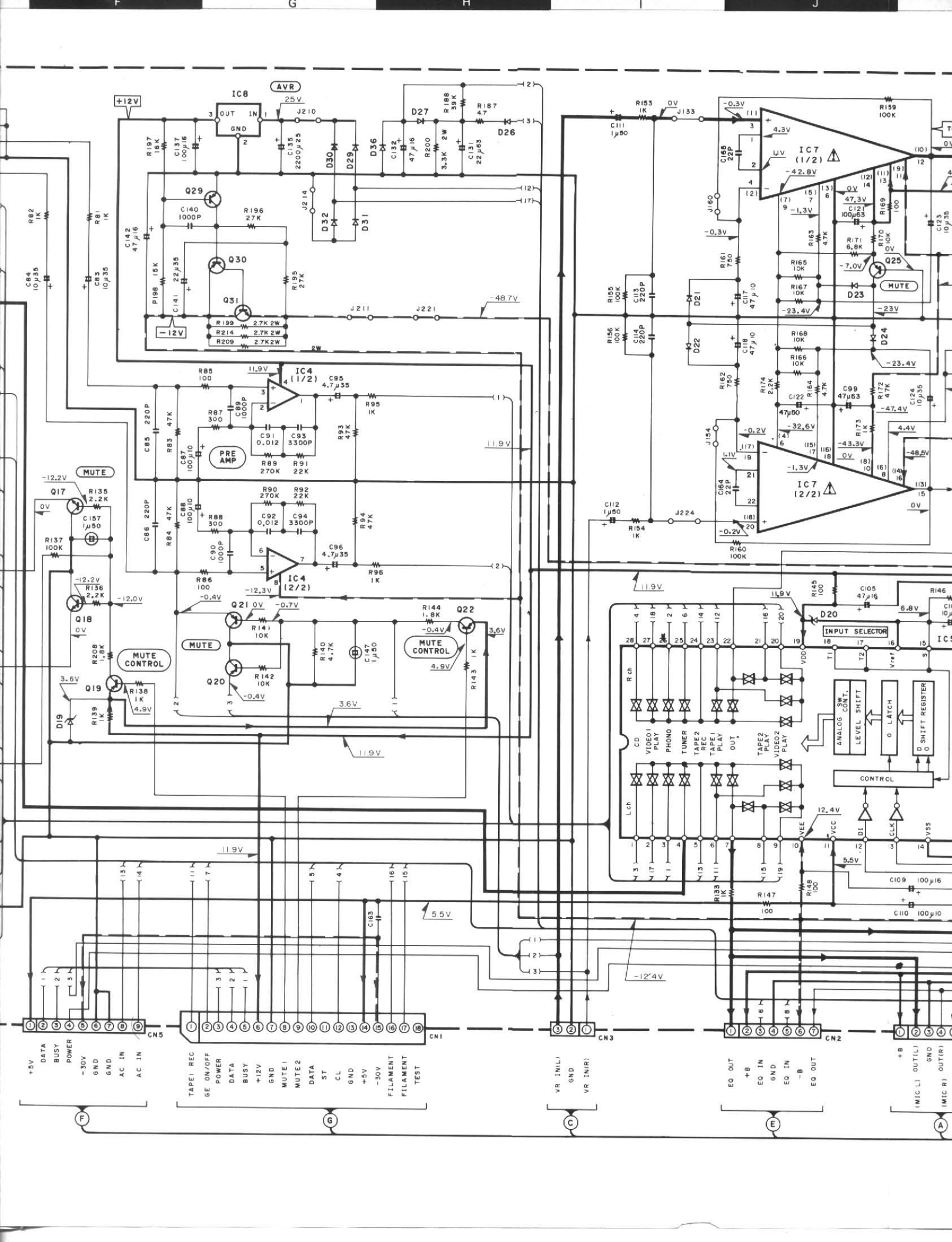
1	4.3V
2	1.1V
3	-0.3V
4	-0.3V
5	0V
6	-32.6V
7	-1.3V
8	4.4V
9	-1.3V
10	-43.3V
11	-48.5V
12	0V
13	48.8V
14	47.3V
15	0V
16	-48.5V
17	-1.3V
18	0V
19	-0.2V
20	-0.2V
21	1.1V

	B	C	E
Q17	-12.2V	0V	0V
Q18	-12.2V	0V	0V
Q19	4.9V	-	3.6V
Q20	-	0V	-0.4V
Q21	0V	0V	-0.4V
Q22	4.9V	-0.4V	3.6V
Q25	0V	-23V	-7.0V
Q26	-	8V	-48.7V
Q27	-	8V	-48.7V
Q29	-	-	0V
Q31	-	-12.4V	-48.7V

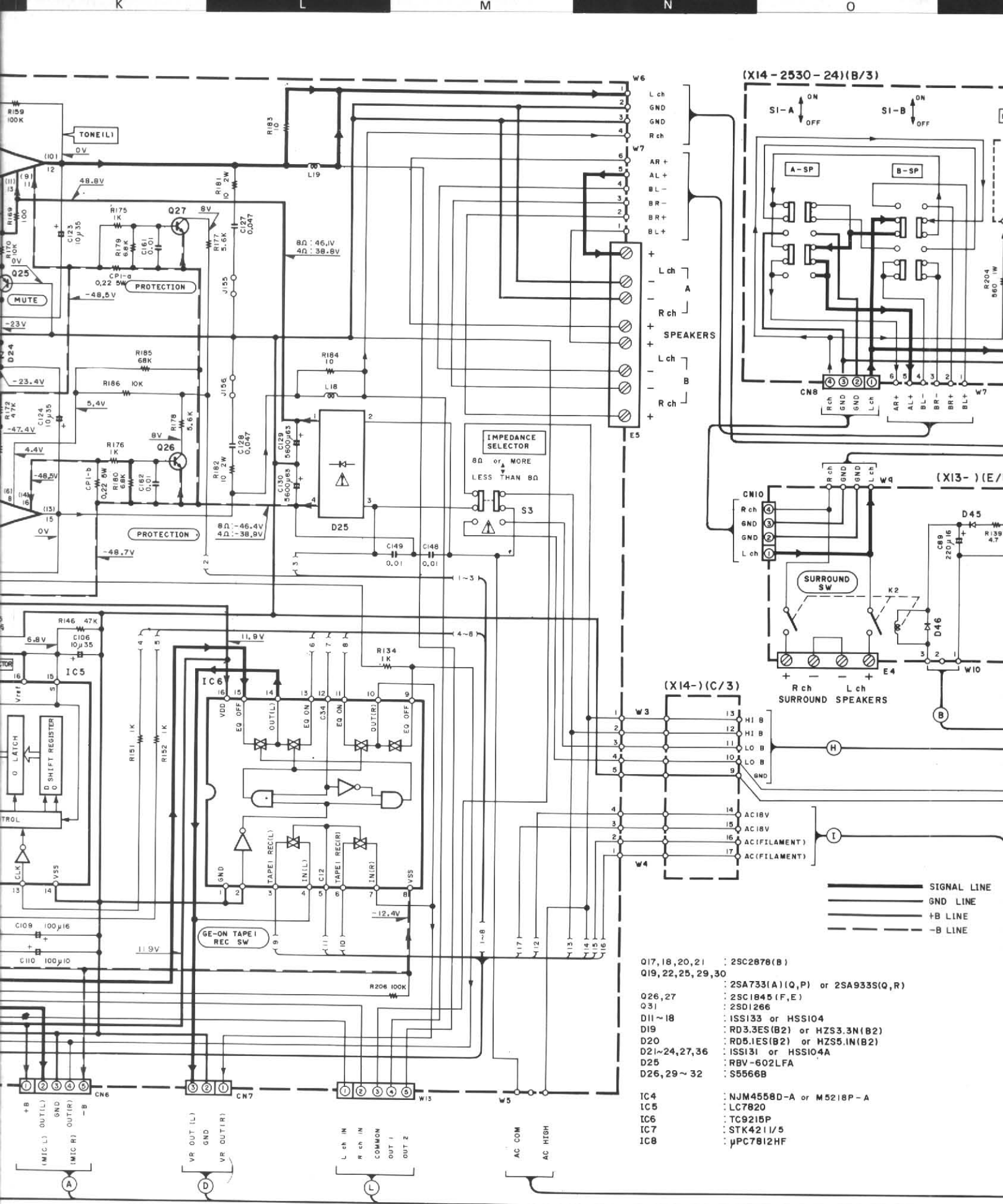
**CAUTION:** For continued safety, replace safety critical components only with manufacturer's recommended parts (refer to parts list).  $\Delta$ Indicates safety critical components. To reduce the risk of electric shock, leakage-current or resistance measurements shall be carried out (exposed parts are acceptably insulated from the supply circuit) before the appliance is returned to the customer.

- DC voltages are as measured with a high impedance voltmeter with no signal input. Values may vary slightly due to variations between individual instruments or/and units.
- Les tensions c.c. doivent être mesurées avec un voltmètre à haute impédance sans signal d'entrée. Les valeurs peuvent différer légèrement du fait des variations inhérentes aux appareils et aux instruments de mesure individuels.
- Die angegebenen Gleichspannungswerte wurden mit einem hochohmigen Voltmeter ohne Eingangssignal gemessen. Dabei schwanken die Meßwerte aufgrund von Unterschieden zwischen einzelnen Instrumenten oder Geräten u.U. geringfügig.





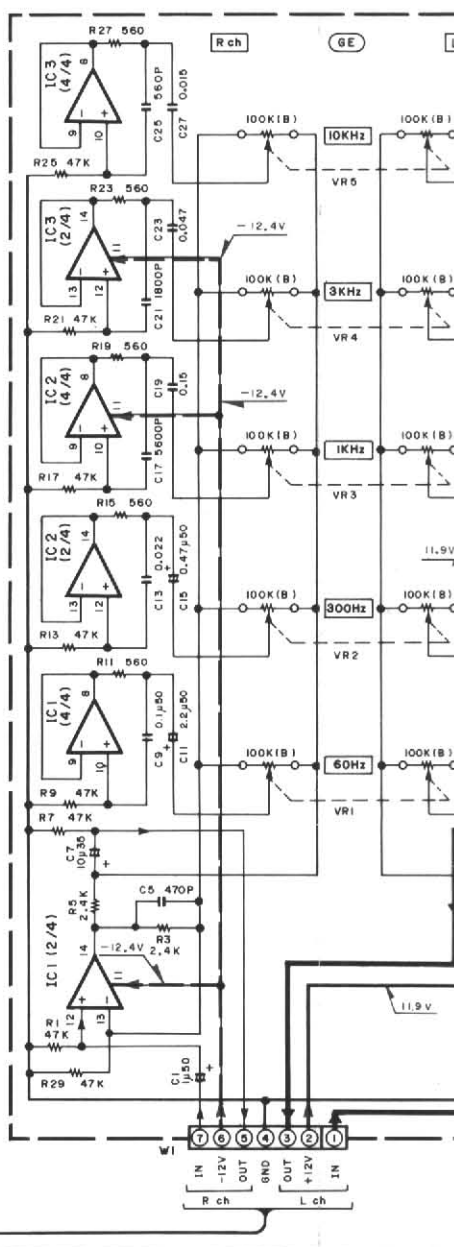
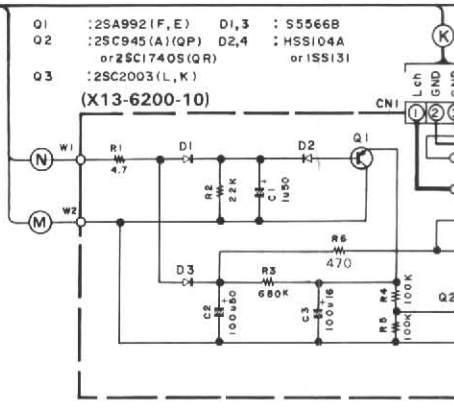
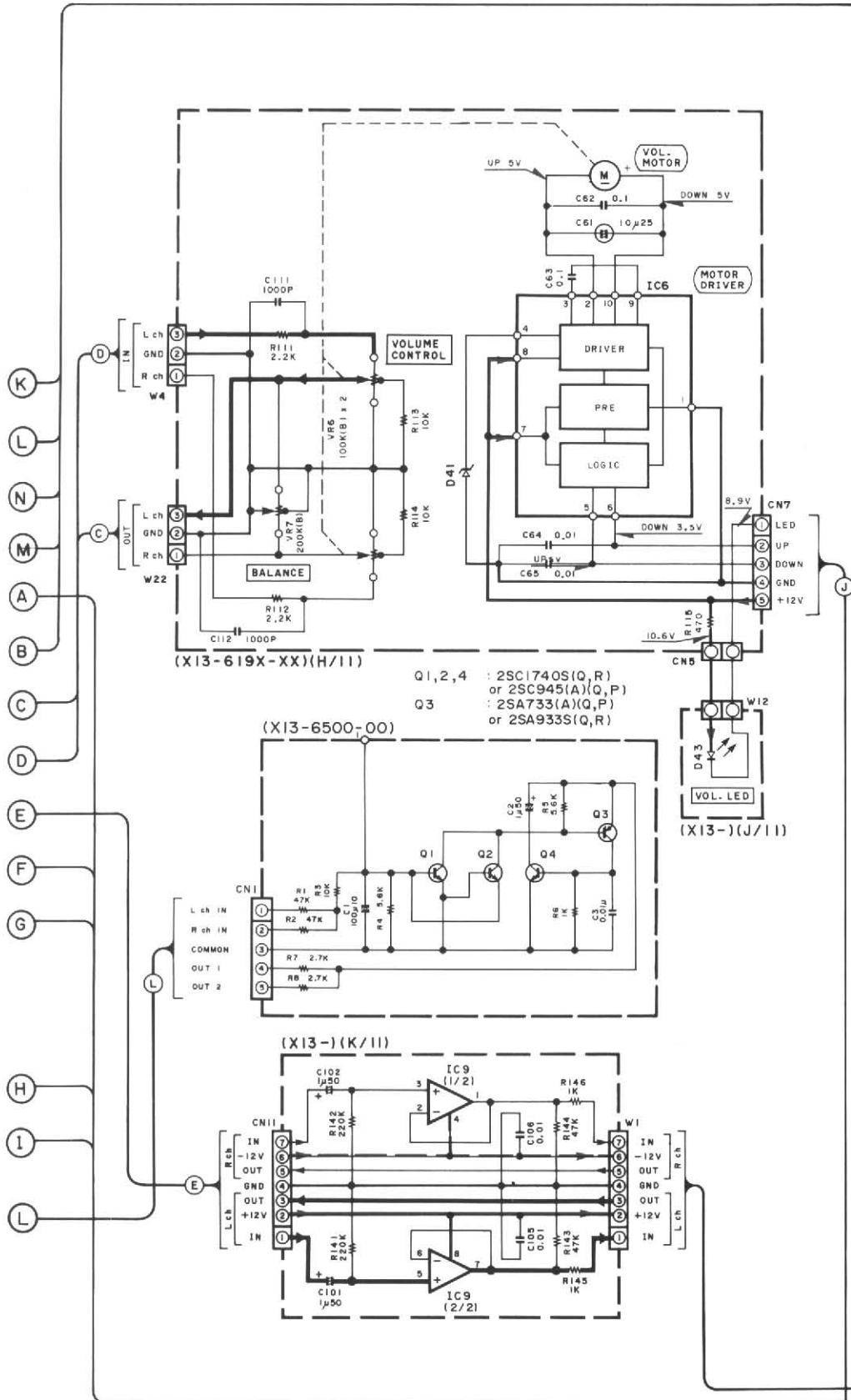




- Q17, 18, 20, 21 : 2SC2878(B)  
 Q19, 22, 25, 29, 30 : 2SA733(A)(Q,P) or 2SA933S(Q,R)  
 Q26, 27 : 2SC1845(F,E)  
 Q31 : 2SD1266  
 D11~18 : ISS133 or HSS104  
 D19 : RD3.3ES(B2) or HZS3.3N(B2)  
 D20 : RD5.1ES(B2) or HZS5.1N(B2)  
 D21~24, 27, 36 : ISS131 or HSS104A  
 D25 : RBV-602LFA  
 D26, 29~32 : S5566B
- IC4 : NJM4558D-A or M5218P-A  
 IC5 : LC7820  
 IC6 : TC9215P  
 IC7 : STK4211/5  
 IC8 : μPC7812HF

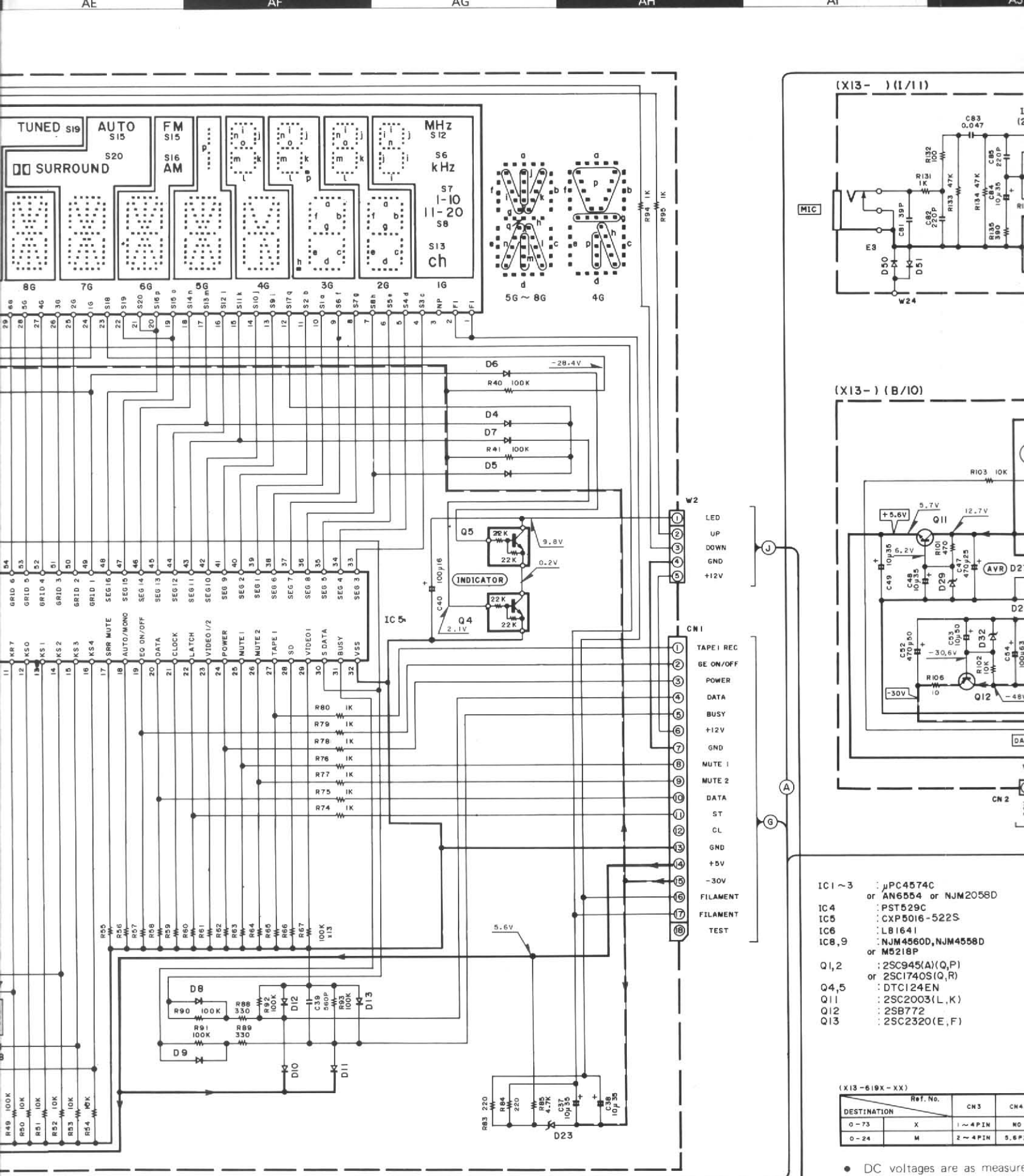
— SIGNAL LINE  
 --- GND LINE  
 - · - · +B LINE  
 - · - · -B LINE











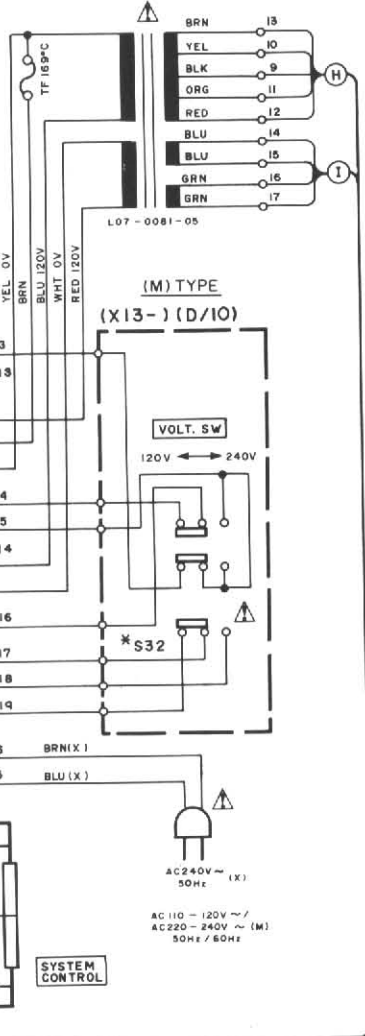
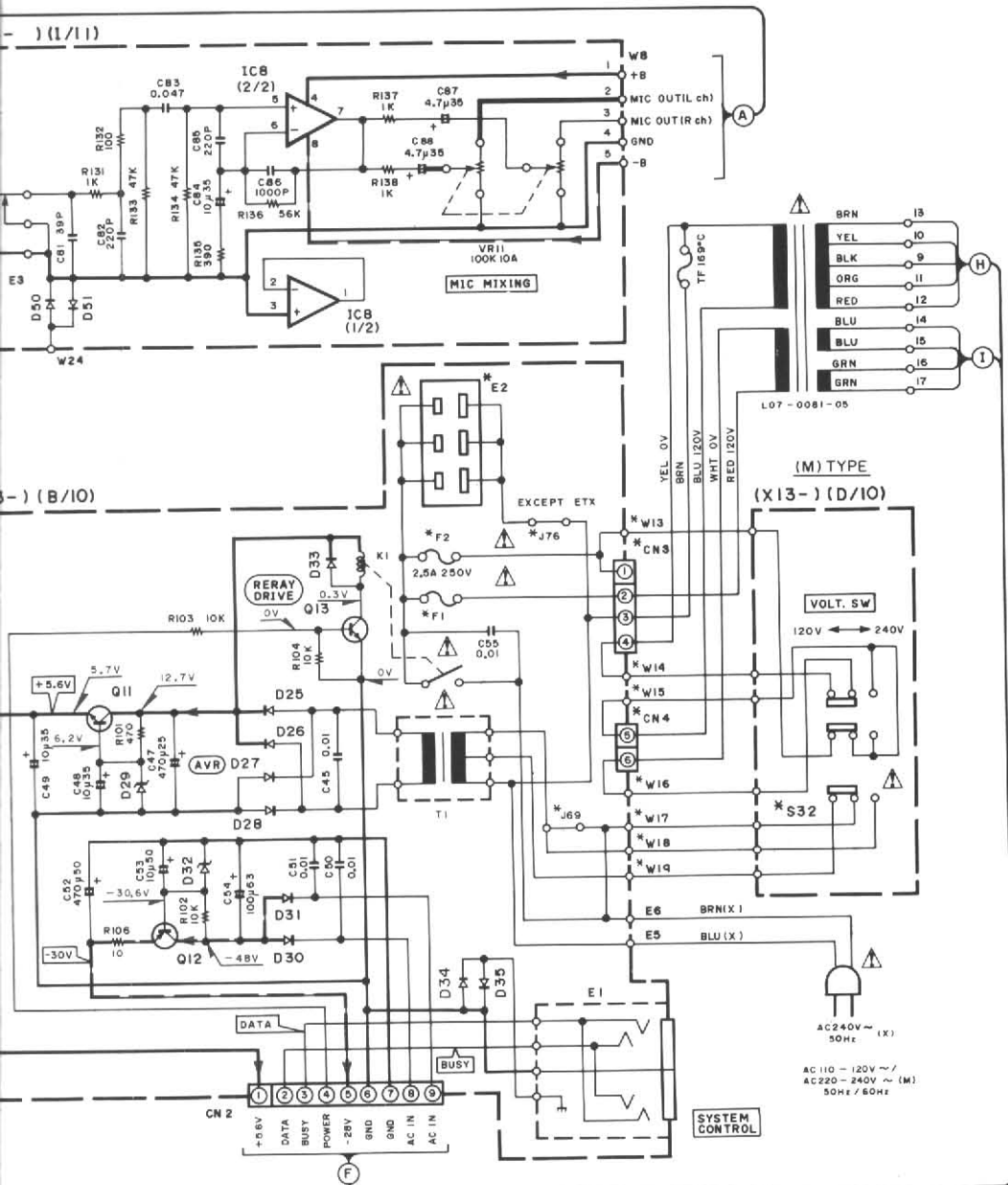
**CAUTION:** For continued safety, replace safety critical components only with manufacturer's recommended parts (refer to parts list).  $\Delta$  Indicates safety critical components. To reduce the risk of electric shock, leakage-current or resistance measurements shall be carried out (exposed parts are acceptably insulated from the supply circuit) before the appliance is returned to the customer.

- IC1 ~ 3 :  $\mu$ PC4574C  
or AN6554 or NJM2058D
- IC4 : PST529C
- IC5 : CXP5016-522S
- IC6 : LB1641
- IC8,9 : NJM4560D, NJM4558D  
or M5218P
- Q1,2 : 2SC945(A)(Q,P)  
or 2SC1740S(Q,R)
- Q4,5 : DTC124EN
- Q11 : 2SC2003(L,K)
- Q12 : 2SC8772
- Q13 : 2SC2320(E,F)

(X13-619X-XX)

DESTINATION	Ref. No.	CN3	CN4
0-73	X	1 ~ 4 PIN	NO
0-24	M	2 ~ 4 PIN	5.6 P

- DC voltages are as measured with a multimeter with no signal applied. Slight variations may occur due to variations in components or/and units.
- Les tensions c.c. doivent être mesurées avec un multimètre à haute impédance. Les valeurs peuvent différer légèrement des valeurs inhérentes aux appareils de mesure individuels.



- ICPC4574C
  - or AN6554 or NJM2058D
  - PST529C
  - CXP5016-522S
  - LB1641
  - NJM4560D, NJM4558D
  - or M5218P
  - 2SC945(A)(Q,P)
  - or 2SC1740S(Q,R)
  - DTC124EN
  - 2SC2003(L,K)
  - 2SB772
  - 2SC2320(E,F)
- D1 ~ 3, 8 ~ 13, 17, 18, 22, 34, 35, 50, 51
  - D4 ~ 7, 46
  - D23
  - D25 ~ 28, 30, 31, 33, 45
  - D29
  - D32
  - D41
  - FL1
  - AI
- HSS104 or ISS133
  - HSS104A or ISS131
  - RD6.8ES (B2)
  - or HZS6.8N(B2)
  - S5566B
  - RD6.2ES(B2)
  - or HZS6.2N(B2)
  - RD30ES(B)
  - or HZS30N(B)
  - RD5.1JS (B2)
  - or HZS5.1S (B2)
  - 9-MT-76GK
  - W02-0975-05
  - or W02-0776-05

Ref. No.	CN3	CN4	S32	E2	F1	F2	J69	J76	W13~19	(X13-)(D/11)
1-75	X	1 ~ 4PIN	NO	NO	NO	NO	YES	NO	NO	NO
1-24	M	2 ~ 4PIN	YES	YES	2.5A250V	2.5A250V	NO	YES	YES	YES

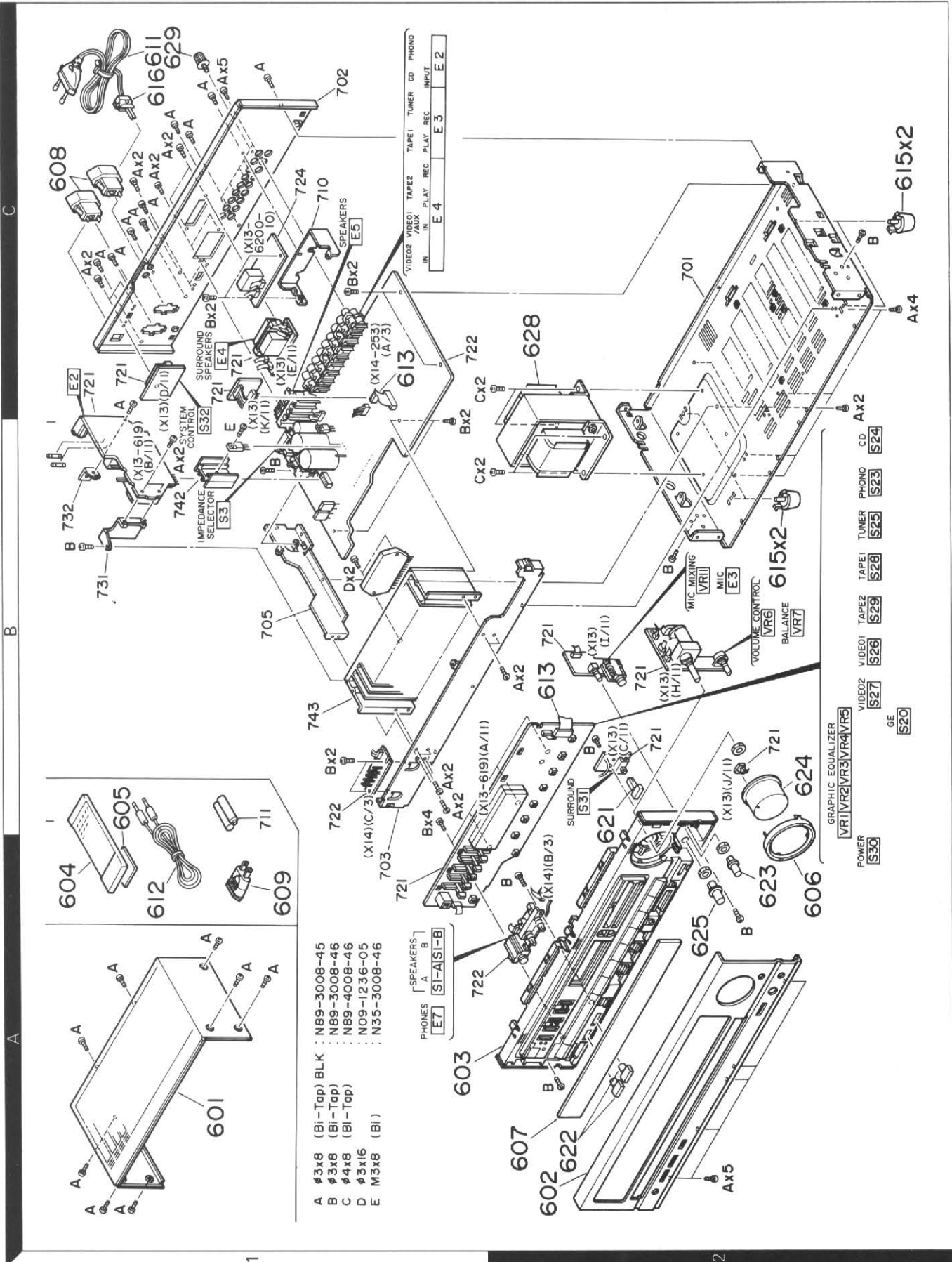
DC voltages are as measured with a high impedance voltmeter with no signal input. Values may vary slightly due to variations between individual instruments or/and units.

Les tensions c.c. doivent être mesurées avec un voltmètre à haute impédance sans signal d'entrée. Les valeurs peuvent différer légèrement du fait des variations inhérentes aux appareils et aux instruments de mesure individuels.

Die angegebenen Gleichspannungswerte wurden mit einem hochohmigen Voltmeter ohne Eingangssignal gemessen. Dabei schwanken die Meßwerte aufgrund von Unterschieden zwischen einzelnen Instrumenten oder Geräten u.U. geringfügig.

**KA-79**  
**KENWOOD**

EXPLODED VIEW



Parts with the exploded numbers larger than 700 are not supplied.

## PARTS LIST

× New Parts

Parts without Parts No. are not supplied.

Les articles non mentionnés dans le Parts No. ne sont pas fournis.

Teile ohne Parts No. werden nicht geliefert.

Ref. No. 参照番号	Address 位置	New Parts 新	Parts No. 部品番号	Description 部品名 / 規格	Desti- nation 仕 向	Re- marks 備考
<b>KA-79</b>						
601	1A		A01-1746-01	METALLIC CABINET		
602	2A	*	A20-5986-02	PANEL		
603	2A		A22-1087-01	SUB PANEL		
604	1A	*	A70-0358-05	REMOTE CONTROLLER ASSY		
605	1A		A09-0088-08	BATTERY COVER		
606	2A		B07-1889-04	ESCUTCHEON		
607	2A	*	B10-1087-03	FRONT GLASS		
-			B46-0096-13	WARRANTY CARD	X	
-		*	B50-7885-00	INSTRUCTION MANUAL (ENGLISH)		
-		*	B50-7886-00	INSTRUCTION MANUAL (FR,SA,AL)	M	
608	1C		E03-0055-05	AC OUTLET		M
608	1C	*	E03-0114-05	AC OUTLET		X
609	1A	*	E03-0115-05	AC PLUG ADAPTOR		M
611	1C		E30-0459-05	AC POWER CORD		M
611	1C		E30-1341-05	AC POWER CORD		X
612	1A		E30-1392-05	CORD WITH PLUG		
613	1C, 2B		E31-4953-05	FLAT CABLE		
-		*	H01-8726-04	ITEM CARTON CASE		
-		*	H10-5003-02	POLYSTYRENE FOAMED FIXTURE		
-		*	H10-5004-02	POLYSTYRENE FOAMED FIXTURE		
-			H25-0181-04	PROTECTION BAG (150X260X0.05)		
-			H25-0223-04	PROTECTION BAG (750X350X0.03)		
-			H25-0232-04	PROTECTION BAG (235X350X0.03)		
615	2B, 2C		J02-1013-05	FOOT		
616	1C		J42-0083-05	POWER CORD BUSHING		
-			J61-0307-05	WIRE BAND		
621	2B		K27-1725-04	KNØB (BUTTON)(SURROUND)		
622	2A		K27-1987-04	KNØB (BUTTON)(SPEAKERS)		
623	2A		K29-2737-04	KNØB (MIC MIXING)		
624	2B		K29-3581-04	KNØB ASSY (VOLUME)		
625	2A		K29-3632-04	KNØB (BALANCE)		
628	2B, 2C	*	L07-0080-05	POWER TRANSFORMER		X
628	2B, 2C	*	L07-0081-05	POWER TRANSFORMER		M
629	1C		N08-0128-35	BINDING POST (GND)		
-		*	N19-1246-04	FLAT WASHER		
A	1A, 1B		N89-3008-45	BINDING HEAD TAPTITE SCREW		
B	1B, 1C		N89-3008-46	BINDING HEAD TAPTITE SCREW		
C	2B, 2C		N89-4008-46	BINDING HEAD TAPTITE SCREW		
<b>SUB UNIT (X13-6190-24: M, 0-73: X)</b>						
D38			B30-0431-05	LED(LN21CPH)		X
D43			B30-1012-05	LED(SLP-981C-50)		
C1			CE04LW1H010M	ELECTRO 1.0UF 50WV		
C2			CE04JW1H010M	ELECTRO 1.0UF 50WV		
C5 ,6			CK45FB1H471K	CERAMIC 470PF K		
C7 ,8			CE04LW1V100M	ELECTRO 10UF 35WV		
C9 ,10			CE04LW1HR10M	ELECTRO 0.10UF 50WV		
C11 ,12			CE04LW1H2R2M	ELECTRO 2.2UF 50WV		
C13 ,14			CF92FV1H223J	MF 0.022UF J		
C15 ,16			CE04LW1HR47M	ELECTRO 0.47UF 50WV		
C17 ,18			CF92FV1H562J	MF 5600PF J		
C19 ,20			CF92FV1H154J	MF 0.15UF J		

E: Scandinavia & Europe K: USA P: Canada

Y: PX(Far East, Hawaii) T: England M: Other Areas

Y: AAFES(Europe) X: Australia

⚠ indicates safety critical components.

## PARTS LIST

× New Parts

Parts without Parts No. are not supplied.

Les articles non mentionnés dans le Parts No. ne sont pas fournis.

Telle ohne Parts No. werden nicht geliefert.

Ref. No. 参照番号	Address 位置	New Parts 新	Parts No. 部品番号	Description 部品名 / 規格	Desti- nation 仕向	Re- marks 備考
C21 ,22			CF92FV1H182J	MF 1800PF J		
C23 ,24			CF92FV1H473J	MF 0.047UF J		
C25 ,26			CK45FB1H561K	CERAMIC 560PF K		
C27 ,28			CF92FV1H153J	MF 0.015UF J		
C29			CE04JW1A101M	ELECTRO 100UF 10WV		
C30			CE04LW1A471M	ELECTRO 470UF 10WV		
C31			CE04LW1HR47M	ELECTRO 0.47UF 50WV		
C32 ,33			CK45FF1H103Z	CERAMIC 0.010UF Z		
C34			CE04LW1A101M	ELECTRO 100UF 10WV		
C35			C91-0937-05	BACKUP 0.047F 5.5WV		
C36			CE04LW1H010M	ELECTRO 1.0UF 50WV		
C37 ,38			CE04LW1V100M	ELECTRO 10UF 35WV		
C39			CK45FB1H561K	CERAMIC 560PF K		
C40			CE04LW1C101M	ELECTRO 100UF 16WV		
C45			CK45FF1H103Z	CERAMIC 0.010UF Z		
C47			CE04LW1E471M	ELECTRO 470UF 25WV		
C48 ,49			CE04LW1V100M	ELECTRO 10UF 35WV		
C50 ,51			CK45FF1H103Z	CERAMIC 0.010UF Z		
C52			CE04LW1H471M	ELECTRO 470UF 50WV		
C53		*	CE04LW1H100M	ELECTRO 10UF 50WV		
C54			CE04LW1J101M	ELECTRO 100UF 63WV		
C55			C91-0023-05	CERAMIC 0.01UF AC250V	M	
C55			C91-0647-05	CERAMIC 0.01UF P	X	
C61			C90-1353-05	NP-ELEC 10UF 25WV		
C62 ,63			CF92FV1H104J	MF 0.10UF J		
C64 ,65			CK45FF1H103Z	CERAMIC 0.010UF Z		
C81			CC45FSL1H390J	CERAMIC 39PF J		
C82			CC45FSL1H221J	CERAMIC 220PF J		
C83			CF92FV1H473J	MF 0.047UF J		
C84			CE04LW1V100M	ELECTRO 10UF 35WV		
C85			C91-0749-05	CERAMIC 220PF K		
C86			CF92FV1H123J	MF 0.012UF J		
C87 ,88			CE04LW1V4R7M	ELECTRO 4.7UF 35WV		
C89			CE04LW1C221M	ELECTRO 220UF 16WV		
C92 ,93			CE04LW1H010M	ELECTRO 1.0UF 50WV		
C101,102			CE04LW1H010M	ELECTRO 1.0UF 50WV		
C111,112			CK45FB1H102K	CERAMIC 1000PF K		
CN10			E10-0408-05	FLAT CABLE CONNECTOR		
E1	1C		E11-0188-05	PHONE JACK (SYSTEM CONTROL)		
E2	1C		E03-0107-05	AC OUTLET	M	
E3	2B		E11-0159-05	PHONE JACK (3P)(MIC)		
E4	1C		E20-0459-05	LOCK TERMINAL BOARD(SURROUND)		
F1	1C		F05-2525-05	FUSE (SEMKO) (250V T2.5A)	X	
F1 ,2	1C		F06-2526-05	FUSE (250V 2.5A)	M	
636	1C		J13-0054-05	FUSE CLIP		
T1			L01-7653-05	POWER TRANSFORMER	M	
T1			L01-7657-05	POWER TRANSFORMER	X	
X1			L78-0209-05	RESONATOR (4.194MHZ)		
A	1B, 1C		N89-3008-45	BINDING HEAD TAPTITE SCREW		
R106			RD14NB2E100J	RD 10 J 1/4W		
R139			RD14NB2E4R7J	RD 4.7 J 1/4W		
VR1 -5			R13-5087-05	POTENTIOMETER 100K(B)(GE)		

E: Scandinavia & Europe K: USA

P: Canada

Y: PX(Far East, Hawaii)

T: England

M: Other Areas

Y: AAFES(Europe)

X: Australia

⚠ indicates safety critical components.



## PARTS LIST

× New Parts

Parts without Parts No. are not supplied.

Les articles non mentionnés dans le Parts No. ne sont pas fournis.

Teile ohne Parts No. werden nicht geliefert.

Ref. No. 参照番号	Address 位置	New Parts 新	Parts No. 部品番号	Description 部品名 / 規格	Desti- nation 仕 向	Re- marks 備考
VR6	2B		R29-5022-05	POTENTIOMETER 100K(B)(VOLUME)		
VR7	2B		R01-5066-05	POTENTIOMETER 200K(B)(BALANCE)		
VR11	2B		R10-5033-05	POTENTIOMETER 100K (MIC MIX)		
K1			S51-1052-05	MAGNETIC RELAY(POWER)		
K2			S51-2085-05	MAGNETIC RELAY(PROTECTION)		
S20	1A		S40-1064-05	PUSH SWITCH (GE)		
S23 -30	1A, 1B		S40-1064-05	PUSH SWITCH (SELECTOR/POWER)		
S31	2B		S40-2351-05	PUSH SWITCH (SURROUND)		
△ S32	1C		S31-3010-05	SLIDE SWITCH (POWER VOLT)	M	
D1 -3			HSS104	DIODE		
D1 -3			1SS133	DIODE		
D4 -7			HSS104A	DIODE		
D4 -7			1SS131	DIODE		
D8 -13			HSS104	DIODE		
D8 -13			1SS133	DIODE		
D17 ,18			HSS104	DIODE		
D17 ,18			1SS133	DIODE		
D22			HSS104	DIODE		
D22			1SS133	DIODE		
D23			HZS6.8N(B2)	ZENER DIODE		
D23			RD6.8ES(B2)	ZENER DIODE		
D25 -28			S5566B	DIODE		
D29			HZS6.2N(B2)	ZENER DIODE		
D29			RD6.2ES(B2)	ZENER DIODE		
D30 ,31			S5566B	DIODE		
D32			HZS30N(B)	ZENER DIODE		
D32			RD30ES(B)	ZENER DIODE		
D33			S5566B	DIODE		
D34 ,35			HSS104	DIODE		
D34 ,35			1SS133	DIODE		
D41			HZS5.1S(B2)	ZENER DIODE		
D41			RD5.1JS(B2)	ZENER DIODE		
D45			S5566B	DIODE		
D46			HSS104A	DIODE		
D46			1SS131	DIODE		
D50 ,51			HSS104	DIODE		
D50 ,51			1SS133	DIODE		
FL1			9-MT-76GK	FLUORESCENT INDICATOR TUBE		
IC1 -3			AN6554	IC(OP AMP X4)		
IC1 -3			NJM2058D	IC(OP AMP X4)		
IC1 -3			UPC4574C	IC(OP AMP X4)		
IC4			PST529C	IC(SYSTEM RESET)		
IC5			CXP5016-522S	IC(4BIT MICROCOMPUTER)		
IC6			LB1641	IC(MOTOR DRIVER)		
IC8			NJM4560D	IC(OP AMP X2)		
IC8 ,9			M5218P	IC(OP AMP X2)		
IC8 ,9			NJM4558D	IC(OP AMP X2)		
Q1 ,2			2SC1740S(Q,R)	TRANSISTOR		
Q1 ,2			2SC945(A)(Q,P)	TRANSISTOR		
Q4 ,5			DTC124EN	DIGITAL TRANSISTOR		
Q11			2SC2003(L,K)	TRANSISTOR		
Q12			2SB772	TRANSISTOR		
Q13			2SC2320(E,F)	TRANSISTOR		

E: Scandinavia &amp; Europe K: USA P: Canada

Y: PX(Far East, Hawaii) T: England M: Other Areas

Y: AAFES(Europe) X: Australia

△ indicates safety critical components.



## PARTS LIST

\* New Parts

Parts without Parts No. are not supplied.

Les articles non mentionnés dans le Parts No. ne sont pas fournis.

Teile ohne Parts No. werden nicht geliefert.

Ref. No. 参照番号	Address 位置	New Parts 新	Parts No. 部品番号	Description 部品名 / 規格	Desti- nation 仕 向	Re- marks 備考
A1 A1	1A 1A		W02-0776-05 W02-0975-05	REMOTE SENSOR REMOTE SENSOR		
<b>SUB UNIT (X13-6500-01)</b>						
C1 C2 C3			CE04LW1H010M CE04LW1H101M CE04LW1C101M	ELECTRO 1.0UF 50WV ELECTRO 100UF 50WV ELECTRO 100UF 16WV		
CN1 ,2			E10-0408-05	CONNECTOR		
R1 R6			RD14GB2E4R7J RD14GB2E471J	FL-PROOF RD 4.7 J 1/4W FL-PROOF RD 470 J 1/4W		
K1			S51-2078-05	RELAY		
D1 D2 D2 D3 D4			S5566B HSS104A 1SS131 S5566B HSS104A	DIODE DIODE DIODE DIODE DIODE		
D4 Q1 Q2 Q2 Q3			1SS131 2SA992(F,E) 2SC1740S(Q,R) 2SC945(A)(Q,P) 2SC2003(L,K)	DIODE TRANSISTOR TRANSISTOR TRANSISTOR TRANSISTOR		
C1 C2 C3			CE04LW1A101M CE04LW1H010M CK45FF1H103Z	ELECTRO 100UF 10WV ELECTRO 1.0UF 50WV CERAMIC 0.010UF Z		
Q1 ,2 Q1 ,2 Q3 Q3 Q4			2SC1740S(Q,R) 2SC945(A)(Q,P) 2SA733(A)(Q,P) 2SA933S(Q,R) 2SC1740S(Q,R)	TRANSISTOR TRANSISTOR TRANSISTOR TRANSISTOR TRANSISTOR		
Q4			2SC945(A)(Q,P)	TRANSISTOR		
<b>AUDIO UNIT (X14-2530-24)</b>						
C83 ,84 C85 ,86 C87 ,88 C89 ,90 C91 ,92			CE04LW1V100M CC45FSL1H221J CE04LW1A101M CK45FB1H102K CF92FV1H123J	ELECTRO 10UF 35WV CERAMIC 220PF J ELECTRO 100UF 10WV CERAMIC 1000PF K MF 0.012UF J		
C93 ,94 C95 ,96 C97 C98 C99			CF92FV1H332J CE04LW1V4R7M CK45FB1H561K CE04LW1H010M CE04LW1J101M	MF 3300PF J ELECTRO 4.7UF 35WV CERAMIC 560PF K ELECTRO 1.0UF 50WV ELECTRO 100UF 63WV		
C101-104 C105 C106 C109 C110			CC45FSL1H221J CE04LW1C470M CE04LW1V100M CE04LW1C101M CE04LW1A101M	CERAMIC 220PF J ELECTRO 47UF 16WV ELECTRO 10UF 35WV ELECTRO 100UF 16WV ELECTRO 100UF 10WV		
C111,112 C113,114 C117,118 C121 C122			CE04LW1H010M CC45FSL1H221J CE04LW1A470M CE04LW1J101M CE04LW1H470M	ELECTRO 1.0UF 50WV CERAMIC 220PF J ELECTRO 47UF 10WV ELECTRO 100UF 63WV ELECTRO 47UF 50WV		

E: Scandinavia &amp; Europe K: USA P: Canada

Y: PX(Far East, Hawaii) T: England M: Other Areas

Y: AAFES(Europe) X: Australia

⚠ indicates safety critical components.

## PARTS LIST

\* New Parts

Parts without Parts No. are not supplied.

Les articles non mentionnés dans le Parts No. ne sont pas fournis.

Teile ohne Parts No. werden nicht geliefert.

Ref. No. 参照番号	Address 位置	New Parts 新	Parts No. 部品番号	Description 部品名/規格	Desti- nation 仕向	Re- marks 備考
C123,124 C127,128 C129,130 C131 C132			CE04LW1V100M CF92FV1H473J C90-1778-05 CE04LW1J220M CE04LW1C470M	ELECTRO 10UF 35WV MF 0.047UF J ELECTRO 5600UF 63WV ELECTRO 22UF 63WV ELECTRO 47UF 16WV		
C135 C137 C140 C141 C142			CE04LW1E222M CE04LW1C101M CK45FB1H102K CE04LW1V220M CE04LW1C470M	ELECTRO 2200UF 25WV ELECTRO 100UF 16WV CERAMIC 1000PF K ELECTRO 22UF 35WV ELECTRO 47UF 16WV		
C147 C148,149 C155,156 C157 C161,162			C90-1349-05 CK45FF1H103Z CE04LW1H010M C90-1349-05 C91-0769-05	NP-ELEC 1UF 50WV CERAMIC 0.010UF Z ELECTRO 1.0UF 50WV NP-ELEC 1UF 50WV CERAMIC 0.01UF M		
C163 C164,165			CK45FF1H103Z CC45FSL1H220J	CERAMIC 0.010UF Z CERAMIC 22PF J		
CN6 CN7 CN8 E2 E3	1C 1C		E10-0509-05 E10-0308-05 E10-0408-05 E13-0446-05 E13-0634-05	FLAT CABLE CONNECTOR FLAT CABLE CONNECTOR FLAT CABLE CONNECTOR PHONE JACK (4P)(PHONE,CD) PHONE JACK (6P)(TUNER,TAPE)		
E4 E5 E7	1C 1C 1C		E13-0820-05 E20-0823-05 E11-0162-05	PHONE JACK (8P)(TAPE,VIDEO) TERMINAL BOARD(8P)(SPEAKERS) PHONE JACK (3P)(PHONES)		
L18 ,19			L39-0085-05	PHASE-COMPENSATION COIL		
A D E	1B,1C 1C 1B		N89-3008-45 N09-1236-05 N35-3008-46	TAPPING SCREW (3X16,+) TAPPING SCREW (3X16,+) TAPPING SCREW (3X16,+)		
CP1 ,2 R145 R147,148 R169 R181,182			R92-0202-05 RD14GB2E101J RD14NB2E101J RD14NB2E101J RS14KB3D100J	METAL-PLATE 0.1 K 5W FL-PROOF RD 100 J 1/4W RD 100 J 1/4W RD 100 J 1/4W FL-PROOF RS 10 J 2W		
R187 R199 R200 R203,204 R209			RD14NB2E4R7J RS14KB3D272J RS14KB3D332J RS14KB3A561J RS14KB3D272J	RD 4.7 J 1/4W FL-PROOF RS 2.7K J 2W FL-PROOF RS 3.3K J 2W FL-PROOF RS 560 J 1W FL-PROOF RS 2.7K J 2W		
R214			RS14KB3D272J	FL-PROOF RS 2.7K J 2W		
S1 S3	1A 1C		S42-2170-05 S31-2136-05	MULTIPLE PUSH SWITCH(SPEAKERS) SLIDE SWITCH (IMPEDANCE)		
D11 -18 D11 -18 D19 D19 D20			HSS104 1SS133 HZS3.3N(B2) RD3.3ES(B2) HZS5.1N(B2)	DIODE DIODE ZENER DIODE ZENER DIODE ZENER DIODE		
D20 D21 -24 D21 -24 D25 D26			RD5.1ES(B2) HSS104A 1SS131 RBV-602LFA S5566B	ZENER DIODE DIODE DIODE DIODE DIODE		

E: Scandinavia &amp; Europe K: USA P: Canada

Y: PX(Far East, Hawaii) T: England M: Other Areas

Y: AAFES(Europe) X: Australia

⚠ indicates safety critical components.

## PARTS LIST

× New Parts

Parts without Parts No. are not supplied.

Les articles non mentionnés dans le Parts No. ne sont pas fournis.

Teile ohne Parts No. werden nicht geliefert.

Ref. No. 参照番号	Address 位置	New Parts 新	Parts No. 部品番号	Description 部品名 / 規格	Desti- nation 仕向	Re- marks 備考
D27			HSS104A	DIODE		
D27			1SS131	DIODE		
D29 -32			S5566B	DIODE		
D36			HSS104A	DIODE		
D36			1SS131	DIODE		
IC4			M5218P-A	IC(OP AMP X2)		
IC4			NJM4558D-A	IC(OP AMP X2)		
IC5			LC7820	IC(ELECTRO CONTROL SWITCH)		
IC6			TC9215P	IC(ANALOG SWITCH X 6)		
IC7			STK4211/5	IC		
IC8			UPC7812HF	IC(VOLTAGE REGULATOR/ +12V)		
Q17 ,18			2SC2878(B)	TRANSISTOR		
Q19			2SA733(A)(Q,P)	TRANSISTOR		
Q19			2SA933S(Q,R)	TRANSISTOR		
Q20 ,21			2SC2878(B)	TRANSISTOR		
Q22			2SA733(A)(Q,P)	TRANSISTOR		
Q22			2SA933S(Q,R)	TRANSISTOR		
Q25			2SA733(A)(Q,P)	TRANSISTOR		
Q25			2SA933S(Q,R)	TRANSISTOR		
Q26 ,27			2SC1845(F,E)	TRANSISTOR		
Q29 ,30			2SA733(A)(Q,P)	TRANSISTOR		
Q29 ,30			2SA933S(Q,R)	TRANSISTOR		
Q31			2SD1266	TRANSISTOR		
<b>SUB UNIT (X13-6200-10)</b>						
C1			CE04LW1H010M	ELECTRO 1.0UF 50WV		
C2			CE04LW1H101M	ELECTRO 100UF 50WV		
C3			CE04LW1C101M	ELECTRO 100UF 16WV		
CN1 ,2			E10-0408-05	CONNECTOR		
K1			S51-2078-05	RELAY		
D1			S5566B			
D2			HSS104A			
D2			1SS131	DIODE		
D3			S5566B			
D4			HSS104A			
D4			1SS131	DIODE		
Q1			2SA992(F,E)	TRANSISTOR		
Q2			2SC1740S(Q,R)	TRANSISTOR		
Q2			2SC945(A)(Q,P)	TRANSISTOR		
Q3			2SC2003(L,K)	TRANSISTOR		

E: Scandinavia &amp; Europe K: USA P: Canada

Y: PX(Far East, Hawaii) T: England M: Other Areas

Y: AAFES(Europe) X: Australia

⚠ indicates safety critical components.

## SPECIFICATIONS

### Power Output

#### Maximum continuous power output

(IHF '66) from 20 Hz to 20,000 Hz, 0.5% T.H.D. at 8 $\Omega$ .....	70 W+ 70 W
(IEC) from 63 Hz to 12,500 Hz, 0.7% T.H.D. at 8 $\Omega$ .....	70 W+ 70 W
Music Power at 8 $\Omega$ .....	115 W+115 W

**Total Harmonic Distortion** ..... 0.1% at 1/2 rated power into 8  $\Omega$  at 1 kHz

**Frequency Response** ..... 10 Hz to 70 kHz, +0 dB, -3 dB

#### Signal-to-Noise Ratio (IHF-A)

PHONO .....	70 dB for 2.5 mV input
TUNER, TAPE, CD, AUX, VIDEO .....	100 dB for 150 mV input

#### Input Sensitivity/Impedance

PHONO .....	2.5 mV/47 k $\Omega$
TUNER, TAPE, CD, AUX, VIDEO .....	150 mV/47 k $\Omega$
MIC .....	1.2 mV/47 k $\Omega$

**Phono Maximum Input Level**..... 100 mV, T.H.D. 0.5% at 1 kHz

**Phono Frequency Response**..... RIAA standard curve  $\pm$ 0.5 dB

#### Output Level/Impedance

Tape REC (Pin).....	150 mV/330 $\Omega$
---------------------	---------------------

#### Graphic Equalizer Control

(60 Hz, 300 Hz, 1 kHz, 3 kHz, 10 kHz) .....	$\pm$ 12 dB
---	-------------

### General

**Power Consumption** ..... 150 W (IEC)

**Dimensions** ..... W: 440 mm

H: 133 mm

D: 284 mm

**Weight (Net)**..... 7.1 kg

#### Note:

KENWOOD follows a policy of continuous advancements in development. For this reason specifications may be changed without notice.

#### Note :

Component and circuitry are subject to modification to insure best operation under differing local conditions. This manual is based on, the Other Areas (M) standard, and provides information on regional circuit modification through use of alternate schematic diagrams, and information on regional component variations through use of parts list.

## KENWOOD CORPORATION

Shionogi Shibuya Building, 17-5, 2-chome Shibuya, Shibuya-ku, Tokyo 150, Japan

KENWOOD U.S.A. CORPORATION

2201 East Dominguez Street, Long Beach, CA 90810;  
550 Clark Drive, Mount Olive, NJ 07828, U.S.A.

KENWOOD ELECTRONICS CANADA INC.

P.O. BOX 1075, 959 Gana Court, Mississauga, Ontario, Canada L4T 4C2

TRIO-KENWOOD U.K. LIMITED

KENWOOD House, Dwight Road, Watford, Herts., WD1 8EB United Kingdom

KENWOOD ELECTRONICS BENELUX N.V.

Mechelsesteenweg 418 B-1930 Zaventem, Belgium

KENWOOD ELECTRONICS DEUTSCHLAND GMBH

Rembrücker-Str. 15, 6056 Heusenstamm, West Germany

TRIO-KENWOOD FRANCE S.A.

13 Boulevard Ney, 75018 Paris, France

KENWOOD LINEAR S.p.A.

20125, MILANO-VIA ARBE, 50, ITALY

KENWOOD ELECTRONICS AUSTRALIA PTY. LTD. (INCORPORATED IN N.S.W.)

4E Woodcock Place, Lane Cove, N.S.W. 2066, Australia

KENWOOD & LEE ELECTRONICS, LTD.

Wang Kee Building, 4th Floor, 34-37, Connaught Road, Central, Hong Kong